

SEE ASSEMBLY INSTRUCTIONS FOR ASSEMBLY PROCESS

MATERIAL LIST:

- 1.) 4' x 8' x 3/4" PLYWOOD, (HIGH GRADE), (ITEMS 1, 2, 3, 4, 5, 6, 7, 8, 9, 11, 20)
- 2.) 22" x 32" x 1" PLYWOOD, (ITEM 10)
- 3.) 3/4" x 2" x 12" PINE, (ITEM 12)
- 4.) 1" x 2 1/2" x 12" PINE, (ITEM 13)
- 5.) 1" x 1" x 19" PINE, (ITEM 14)
- 6.) 1/4" x 3/4" x 36" PINE, (ITEMS 15 & 16)
- 7.) 1/8" x 3/4" x 18" STEEL, (ITEM 19) (OPTIONAL BRASS)
- 8.) 1/8" x 10" x 11" WHITE ACRYLIC SHEET, (ITEM 18) (HEAT RESISTANT)
- 9.) 16 Ga. (1/16)" x 10 3/4" x 10 15/16" STEEL SHEET, (ITEM 17) (OPTIONAL TO BUY THIS PART)

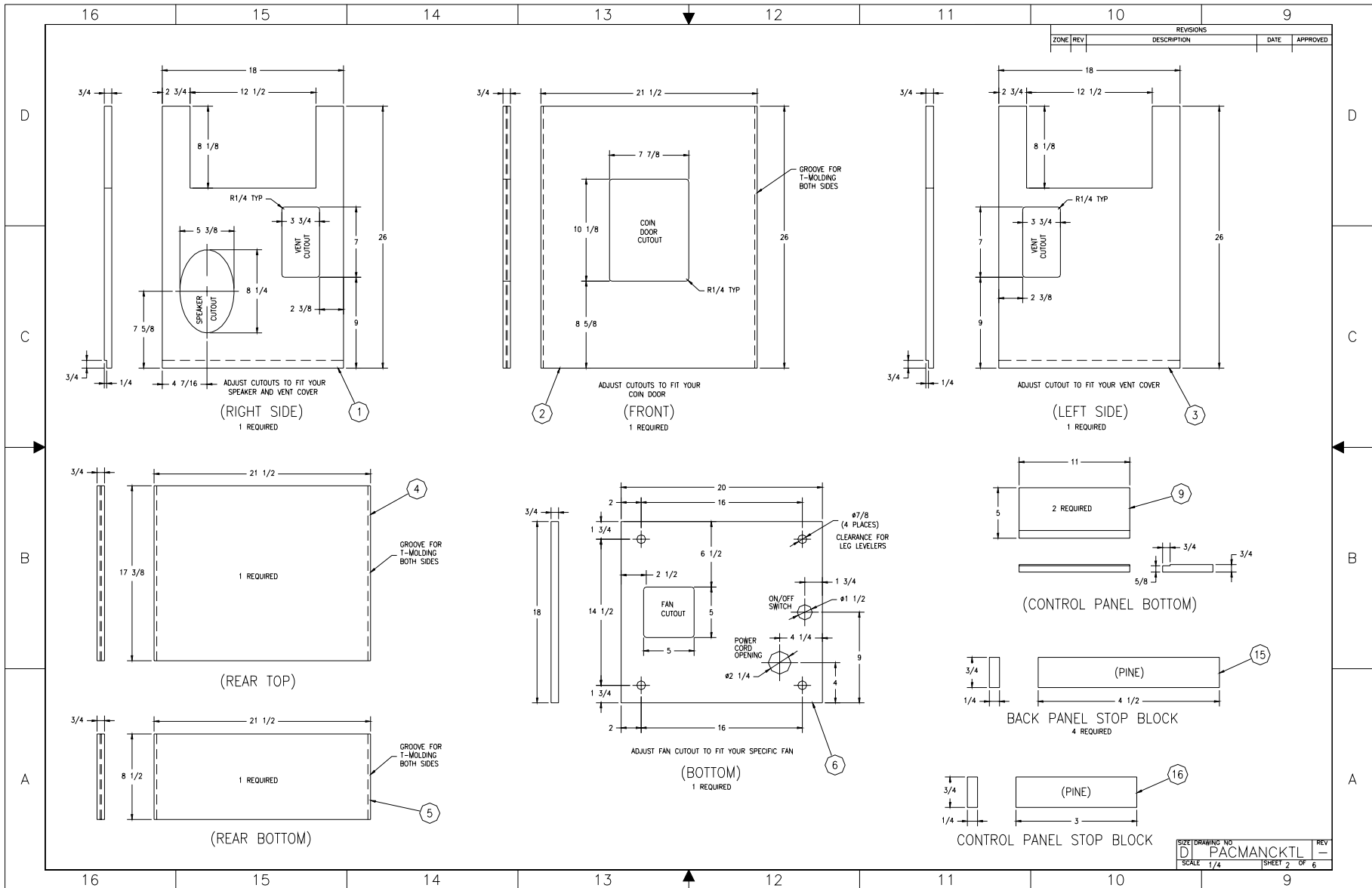
20	3	COIN BOX SIDES	PLYWOOD, 3/4" X 5 1/2" X 7"	SHEET 6
19	4	CONTROL PANEL BRACKET	METAL, 1/8" X 3/4" X 3 7/8"	SHEET 4
18	2	CONTROL PANEL PLASTIC	WHITE COLORED ACRYLIC SHEET, 1/8" X 4 3/4" X 11"	SHEET 6
17	2	CONTROL PANEL	STEEL, 16 GA (1/16)" X 10 3/4" X 10 15/16"	SHEET 5
16	4	CONTROL PANEL STOP BLOCK	PINE, 1/4" X 3/4 X 3"	SHEET 2
15	4	BACK PANEL STOP BLOCK	PINE, 1/4" X 3/4" X 4 1/2"	SHEET 2
14	1	TOP SUPPORT	PINE, 1" X 1" X 19"	SHEET 6
13	2	CORNER GUSSET	PINE, 1" X 2" X 2 1/2"	SHEET 3
12	4	CORNER SUPPORT	PINE, 3/4" X 2" X 4"	SHEET 4
11	4	BASE	PLYWOOD, 3/4" X 1 3/4" X 17 1/2"	SHEET 3
10	1	CABINET TOP	PLYWOOD, 1" X 22" X 32"	SHEET 4
9	2	CONTROL PANEL BASE	PLYWOOD, 3/4" X 5" X 11"	SHEET 2
8	2	CONTROL PANEL SIDE	PLYWOOD, 3/4" X 6 3/16" X 8 1/4"	SHEET 3
7	2	CONTROL PANEL SIDE	PLYWOOD, 3/4" X 6 3/16" X 8 1/4"	SHEET 3
6	1	BOTTOM	PLYWOOD, 3/4" X 18" X 20"	SHEET 2
5	1	REAR BOTTOM	PLYWOOD, 3/4" X 8 1/2" X 21 1/2"	SHEET 2
4	1	REAR TOP	PLYWOOD, 3/4" X 17 3/8" X 21 1/2"	SHEET 2
3	1	LEFT SIDE	PLYWOOD, 3/4" X 18" X 26"	SHEET 2
2	1	FRONT	PLYWOOD, 3/4" X 21 1/2" X 26"	SHEET 2
1	1	RIGHT SIDE	PLYWOOD, 3/4" X 18" X 26"	SHEET 2

PACMAN COCKTAIL CABINET PLANS

DRAWN BY: KYLE LINDSTROM DATE: 11/06/01

SIZE: D DRAWING NO: PACMANCKTL REV: —

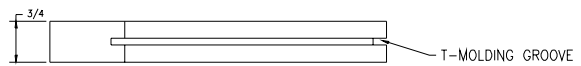
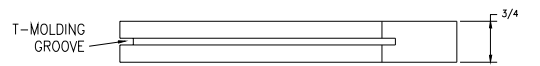
SCALE: 3/16" WEIGHT: SHEET 1 OF 6



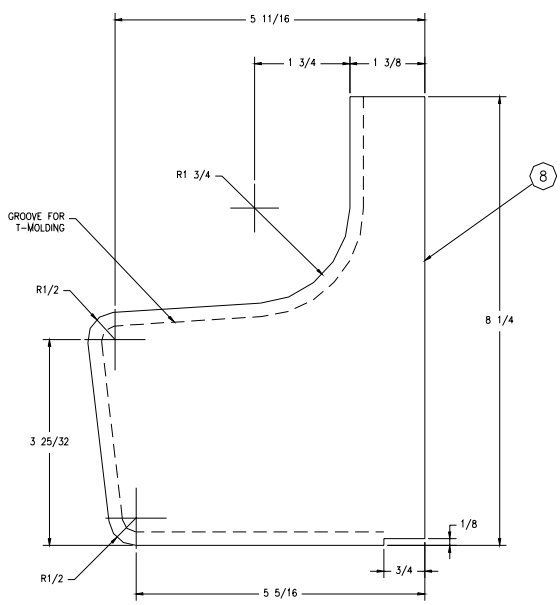
DATE: 1/4
REV: 1
DESIGNER: PACMANCKTL

16 15 14 13 12 11 10 9

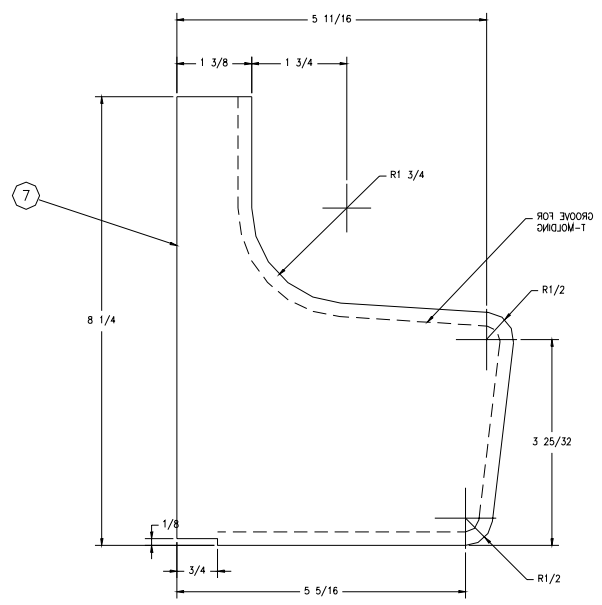
REVISIONS		DATE	APPROVED
ZONE	REV	DESCRIPTION	



D

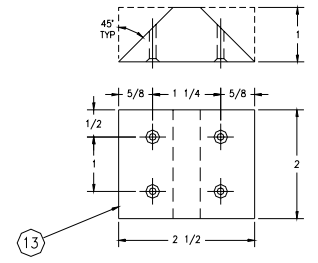


RIGHT SIDE CONTROL PANEL
2 REQUIRED



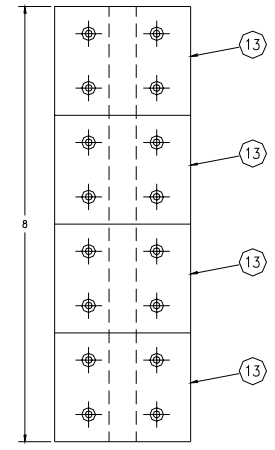
LEFT SIDE CONTROL PANEL
2 REQUIRED

C



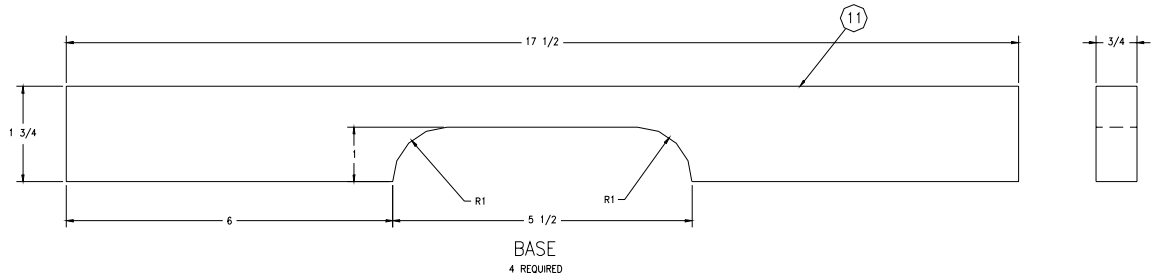
CORNER GUSSET
4 REQUIRED

B



MAKE (4) ITEMS 13 AT ONE TIME.
(AS SHOWN ABOVE)
CHAMFER CORNERS AFTER DRILLING
THEN SEPARATE INTO 4 PIECES

A



BASE
4 REQUIRED

SIZE	DRAWING NO.	REV
D	PACMANCKTL	
SCALE	FULL	SHEET 3 OF 6

16 15 14 13 12 11 10 9

