

To set Custom Settings:

1. Turn power off.
2. Press down Mode key while turning on meter.
3. "CS" (Custom Settings) will appear in upper right hand corner.
4. Use the JOG WHEEL to select Custom Setting number (No.)-see chart below.
5. Press Mode Key to Select Item Number (Item #)-see chart below.
6. Turn meter off and then back on to activate functions.
7. NOTE: L-558 - Pressing M.CLEAR in CS mode will reset all settings to default (No. 0)
L-558 CINE - Same as L-558 except for items 8 & 9 which are set to selection (No. 3).

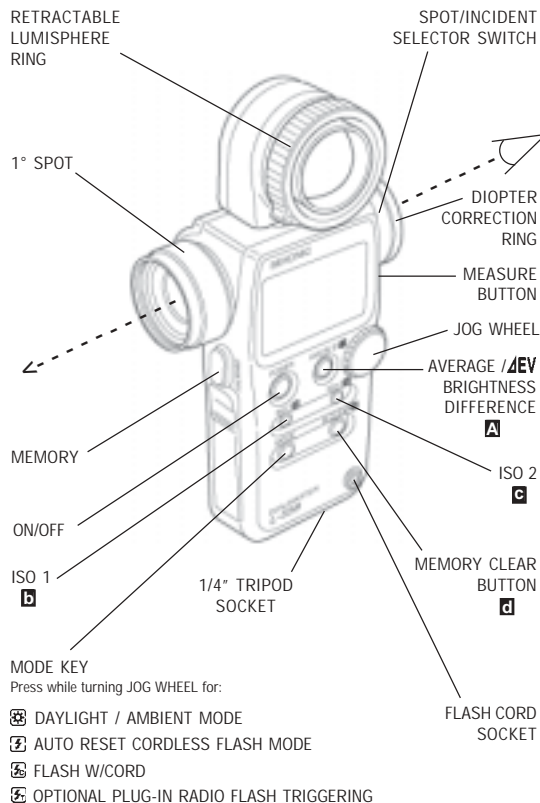


Custom Setting List							
No.	Model	Lighting	Custom Setting Name	Item			
				0	1	2	3
1	558	Ambient & Flash	ISO 2 Setting	Film Sensitivity 1/3 Step	Filter Compensation (1) 0.1 EV Step (±5EV)	-	-
	CINE			Film Sensitivity 1/3 Step	Filter Compensation (1) 0.1 EV Step (±5EV)	Filter Compensation (2) 7 Filter Factor Numbers	-
2	558 & CINE	Ambient & Flash	Exposure Compensation Display Setting	Always Displayed	Not Displayed	-	-
3*	558 & CINE	Ambient & Flash	Increments of Reading	Full Stop	1/3 Stop	1/2 Stop	-
4	558 & CINE	Ambient	Aperture (F) priority mode	Available	Not Available	-	-
5	558 & CINE	Ambient	EV Mode	Available	Not Available	-	-
6	558 & CINE	Flash	Multiple Flash Mode (cumulative)	Available	Not Available	-	-
7**	CINE	Ambient	Illuminance or Luminance (CINE only) Display	Compound + Individual	Compound	Individual	-
8	CINE	Ambient	Illuminance Measurement in Incident Mode	Not Available	LUX	FC	LUX, FC
9	CINE	Ambient	Luminance Measurement in Reflected Mode	Not Available	cd/m ²	FL	cd/m ² , FL

* 1/10 stop fractions are displayed in full, 1/2 and 1/3 step increments.

** Individual: LUX, FC, cd/m², or FL Compound: LUX+T+F, FC+T+F, cd/m²+T+F or FL+T+F (combination)

Sekonic L-558 / CINE Quick Guide

**On/Off**

Press down power key to turn on meter. Battery icon will appear . Monitors Battery level. Press and hold Power key to turn off.

Set ISO 1 or ISO 2

Hold down ISO 1 or ISO 2 while turning the JOG WHEEL.

1° Spot meter mode

Turn SPOT/INCIDENT SELECTOR SWITCH to to select Spot. Press measure button.

Incident meter mode

Turn SPOT/INCIDENT SELECTOR SWITCH to to select Incident. Turn Lumisphere retracting ring counter-clockwise to the full UP right position. Press measure button.

Measure Brightness / Contrast Difference

Turn Lumisphere retracting ring clockwise to lower the Lumisphere to the DOWN position. Select measuring mode then press measure button.

Ambient Reading

Select Ambient Mode by holding down the Mode key and turning the JOG WHEEL. Press the measure button.

Cord Flash Reading

Select Cord Flash Mode. Connect flash cord. Press measure button, to trigger flash and measure light.

Cordless Flash Reading

Select Cordless Flash mode. Press measure button, trigger flash manually, meter measures light, automatically resets.

Radio Triggering Mode (with optional RT-32 Module)

Turn power OFF. Remove Connector cover inside battery compartment. Insert optional RT-32 Module. Turn Power ON. Hold MODE key in while turning the JOG WHEEL to RADIO FLASH TRIGGERING MODE, a blinking channel number will appear. Turn JOG WHEEL to select channel number. To select Quad-Triggering sub-channels **A**, **B**, **C**, **D**, simply press the direct function keys: AVE/ΔEV **A**, ISO 1 **B**, ISO 2 **C** or M.Clear **D** on the control panel. Pressing the measure button once returns the screen to the main menu. Pressing the measure key again simultaneously fires flash and measures light.

Memory Function

Take measurement, press Memory button. Up to nine readings can be stored and displayed on the analog memory scale by repeating the procedure. A tenth measurement can also be displayed.

Motion Picture (CINE)

Turn JOG WHEEL (in T Priority Mode) past shutter speeds 8000, 1/200, 1/400 to select f/s (frames per second). Press measure button.

Averaging Function

After two or more measurements are memorized, toggle AVE/ΔEV key. Averaged exposure will be displayed in digital and analog readouts. Operates in all measuring modes.

Brightness Difference Function

Can be used in all modes (incident, reflected, ambient and flash). Take measurement(s), press the AVE/ΔEV button ΔEV will display. Press and hold down the Measure button. The difference between the last memorized reading or averaged reading and new area measured is displayed in +/- 1/10th steps of EV.

Flash Analyzing

In all flash modes: Take a flash measurement. A combined reading of both ambient and flash will be displayed. Turn the JOG WHEEL to adjust ratio between ambient and flash. Adjust aperture and shutter as required on camera.

EV Readout - Option 5 in Custom Settings Chart

Select item 0 (EV) in the CS software settings to turn "ON" EV mode. Select Ambient Mode. Hold down Mode key and turn JOG WHEEL until EV readout shows. Press measure button.

Multi Flash Mode - Option 6 in Custom Settings Chart

Hold down Mode key and turn JOG WHEEL to select Cord, Cordless or Radio Trigger Mode with MLT shown on display. Trigger flash repeatedly until target f/stop is achieved.

Exposure Compensation

Hold in both ISO 1 and ISO 2 simultaneously and turn the JOG WHEEL to exposure compensation needed between +/- 9.9 EV.

Calibration

Meter must turned off. Tap Power button once while holding in ISO 1 and ISO 2 keys. CAL will be displayed on panel. Turn the JOG WHEEL while holding down both ISO keys to compensate between +/- 1.0 EV.

Key Lock and Unlock:

Hold MODE key in. Toggle ISO 1 key to lock or unlock. "LOc" will display briefly.